

SPECIFICATIONS

Material: Standart Seeloc® washer is 300 series stainless steel, but can be made in carbon steel, nickel-plated brass, aluminum, etc. Silicone rubber is standard.

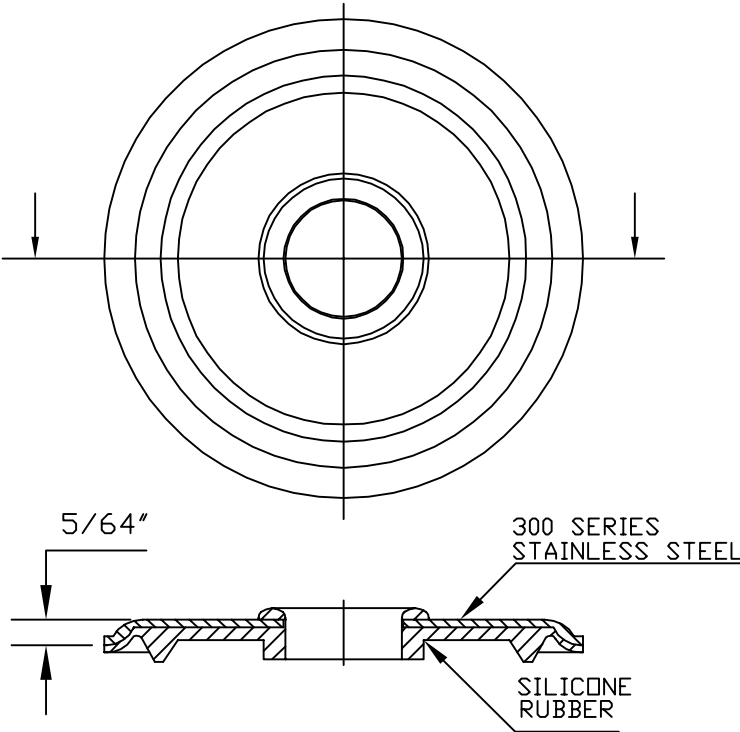
Temperature Range: -160°F to +500°F

Pressure Range: Exceeds 100 psi internal and external

Shelf Life: Excess of 25 years

Resistant to: Salt water, sunlight, ozone, weather, acids and etc.

Installation: Seeloc® washers are installed on bolts, studs or screws in the same manner as regular washers. The rubber section should always face the panel, mounting surface.



ITEM NUMBER	THREAD SIZE	WASHER O.D.
75601	#6	0.550"±0.050
75801	#8	0.550"±0.050
75101	#10	0.550"±0.050
75602	#6	1"±0.050
75802	#8	1"±0.050
75102	#10	1"±0.050
75082	#1/4	1"±0.050
75107	#5/16	1"±0.050
75122	#3/8	1"±0.050
75142	#7/16	1"±0.050
75162	#1/2	1"±0.050
75603	#6	1 1/2"±0.050
75803	#8	1 1/2"±0.050
75103	#10	1 1/2"±0.050
75083	#1/4	1 1/2"±0.050
75108	#5/16	1 1/2"±0.050
75123	#3/8	1 1/2"±0.050
75143	#7/16	1 1/2"±0.050
75163	#1/2	1 1/2"±0.050

B	CHANGED TABLE, ADDED ITEM NUM., CHANGED WASHER O.D. for 75601,75801 and 75101, ADDED TOLERANCE		07.14.08
A	CAD COMPUTER GENERATED		12.23.02
REV.	DESCRIPTION		DATE
MAXIMUM AND MINIMUM MEASUREMENTS ARE STATED DIRECTLY ON EACH DIMENSION.	TITLE	SEELC®	ENG. S. GOK 07.14.08
		VIBRATIO-RESISTANT, SELF-SEALING WASHERS	DWN. S. GOK 07.14.08
			CHKD. J. CELLA 07.14.08
MAT'L: AS NOTED	APM-HEXSEAL CORPORATION	SCALE	DWG. NO. 75000 SERIES
FINISH: AS NOTED			

THIS DRAWING COVERS PROPRIETARY ITEM AND IS THE PROPERTY OF THE APM-HEXSEAL CORPORATION.
THIS DRAWING IS NOT TO BE COPIED OR USED WITHOUT THE WRITTEN APPROVAL OF AN OFFICER OF THE APM-HEXSEAL CORPORATION.